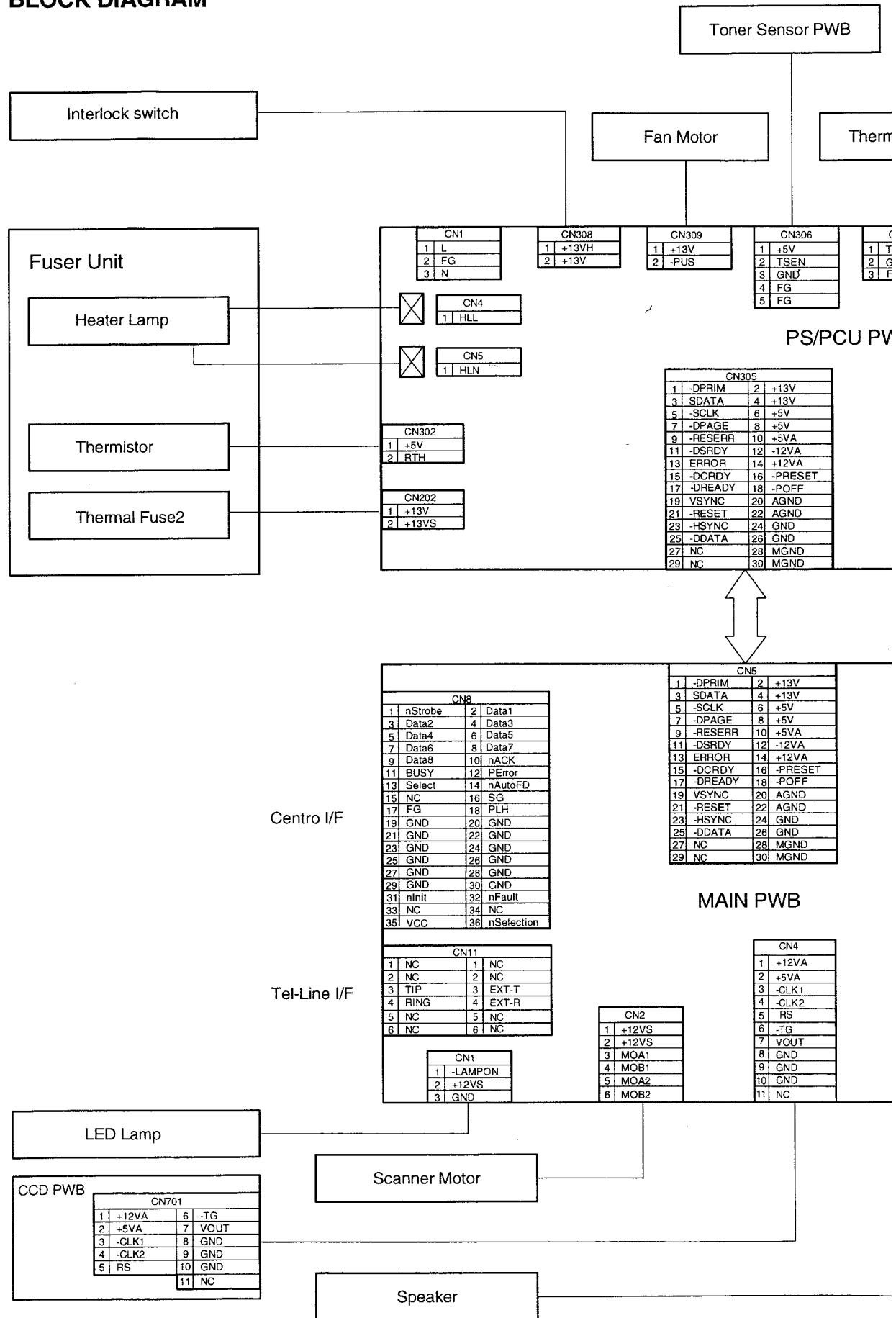
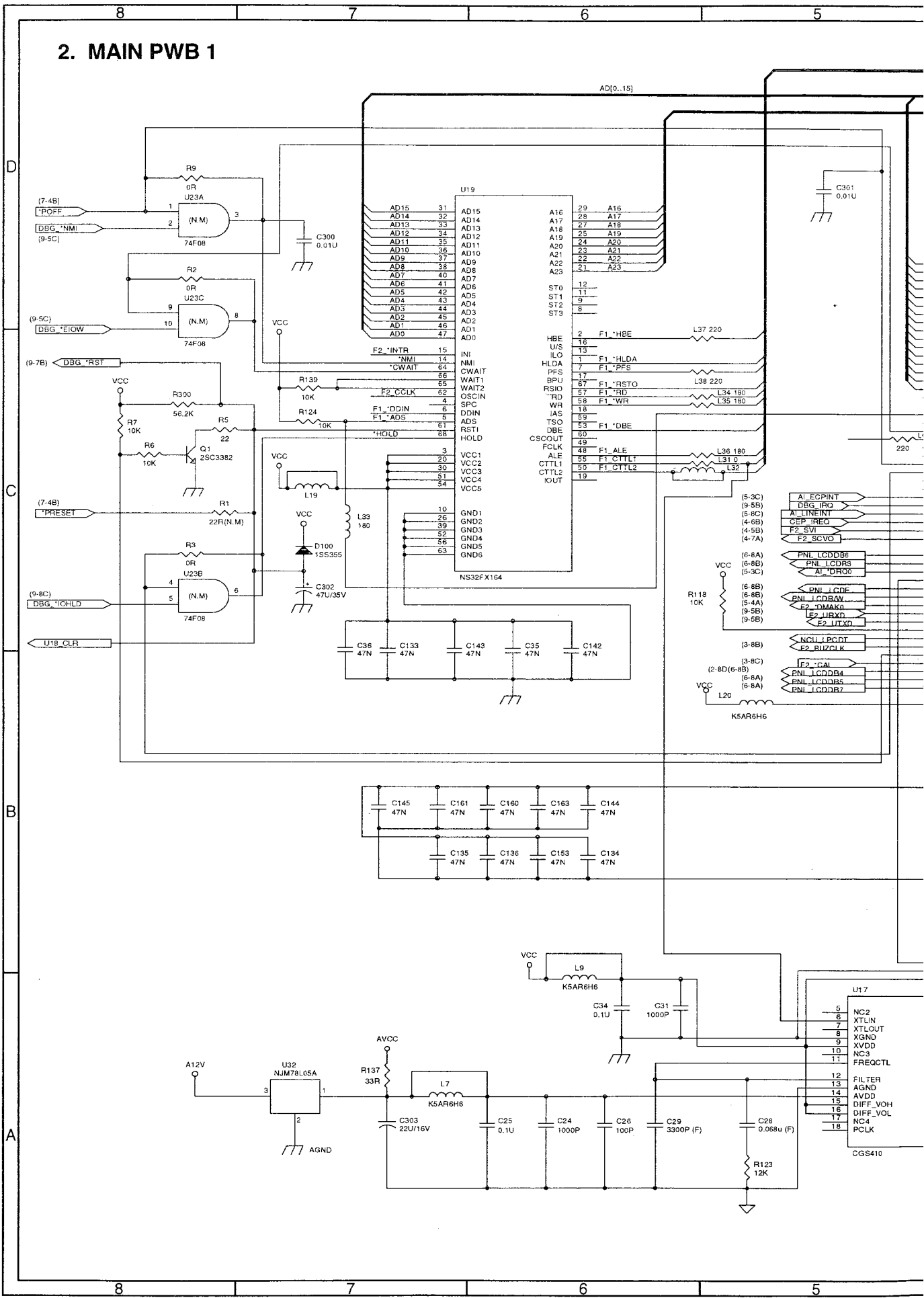


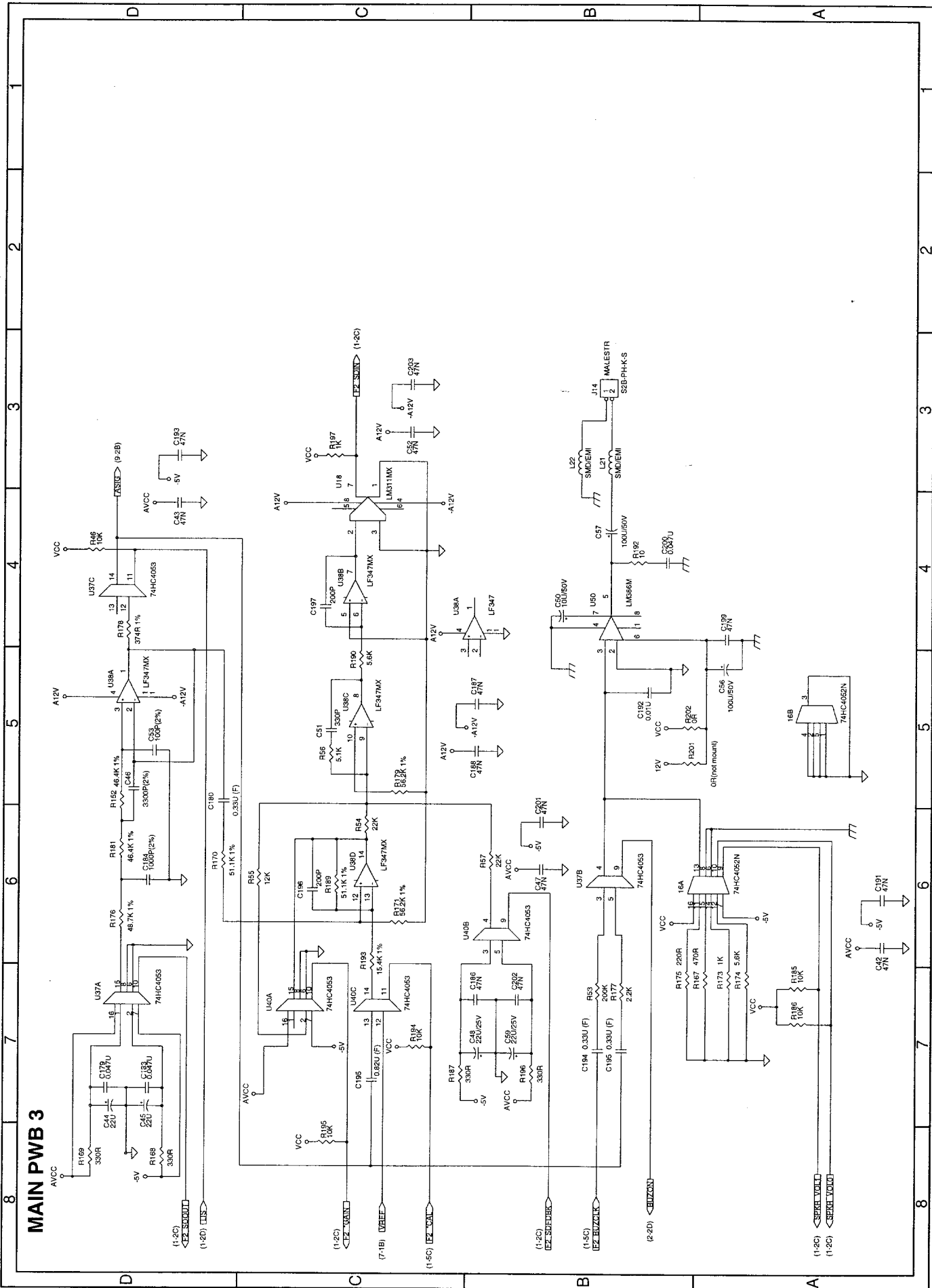
# [14] CIRCUIT DIAGRAM

## 1. BLOCK DIAGRAM



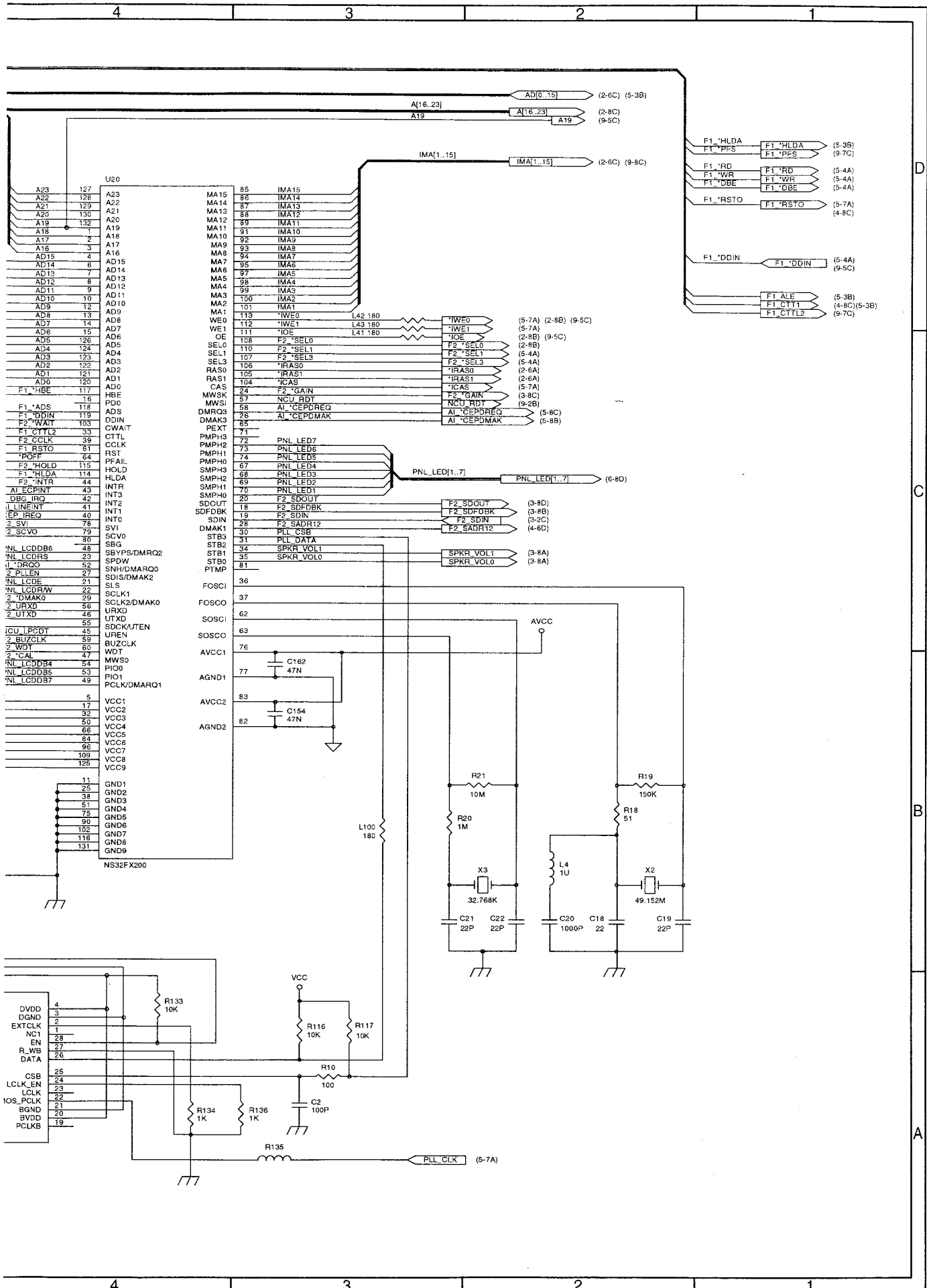
# 2. MAIN PWB 1



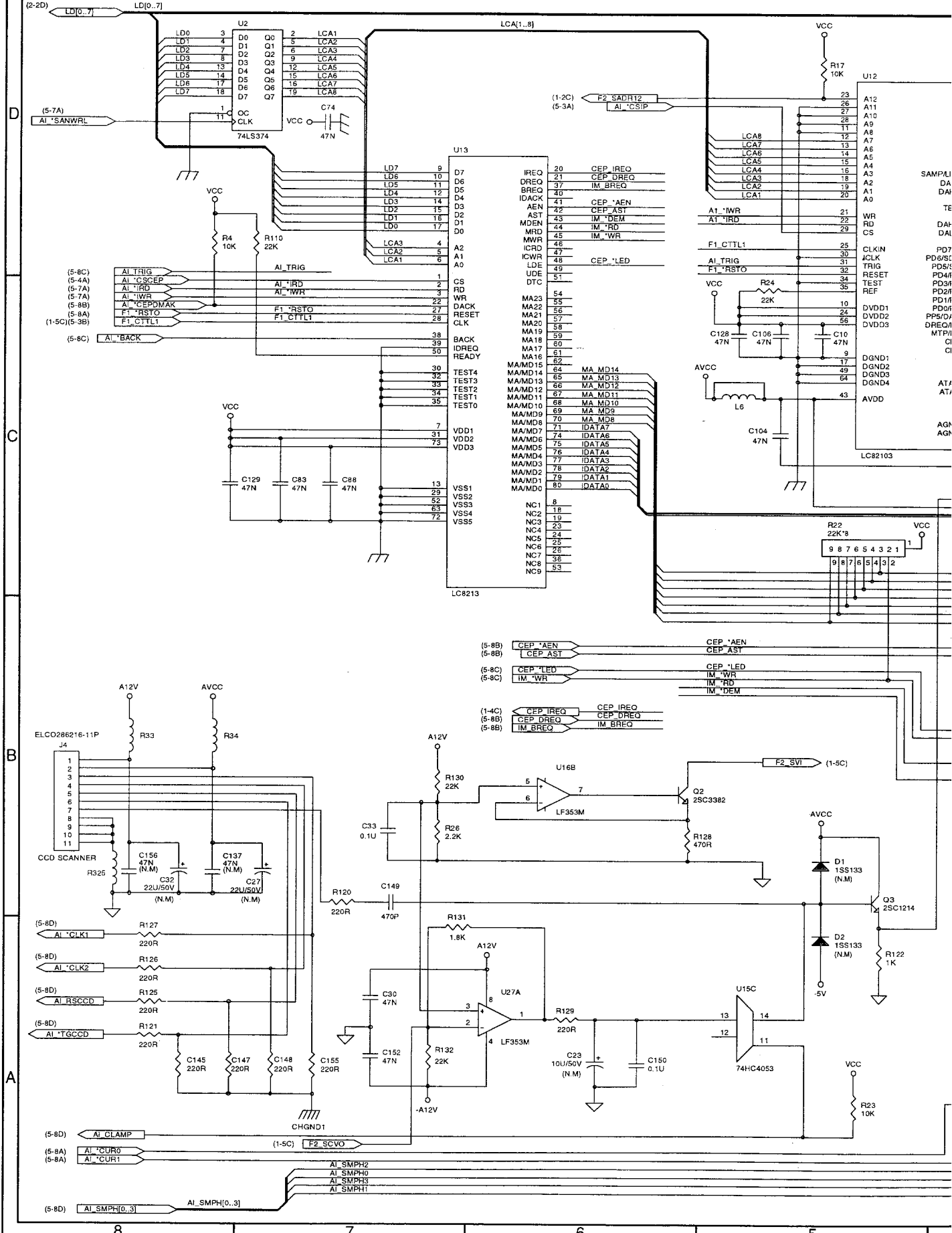


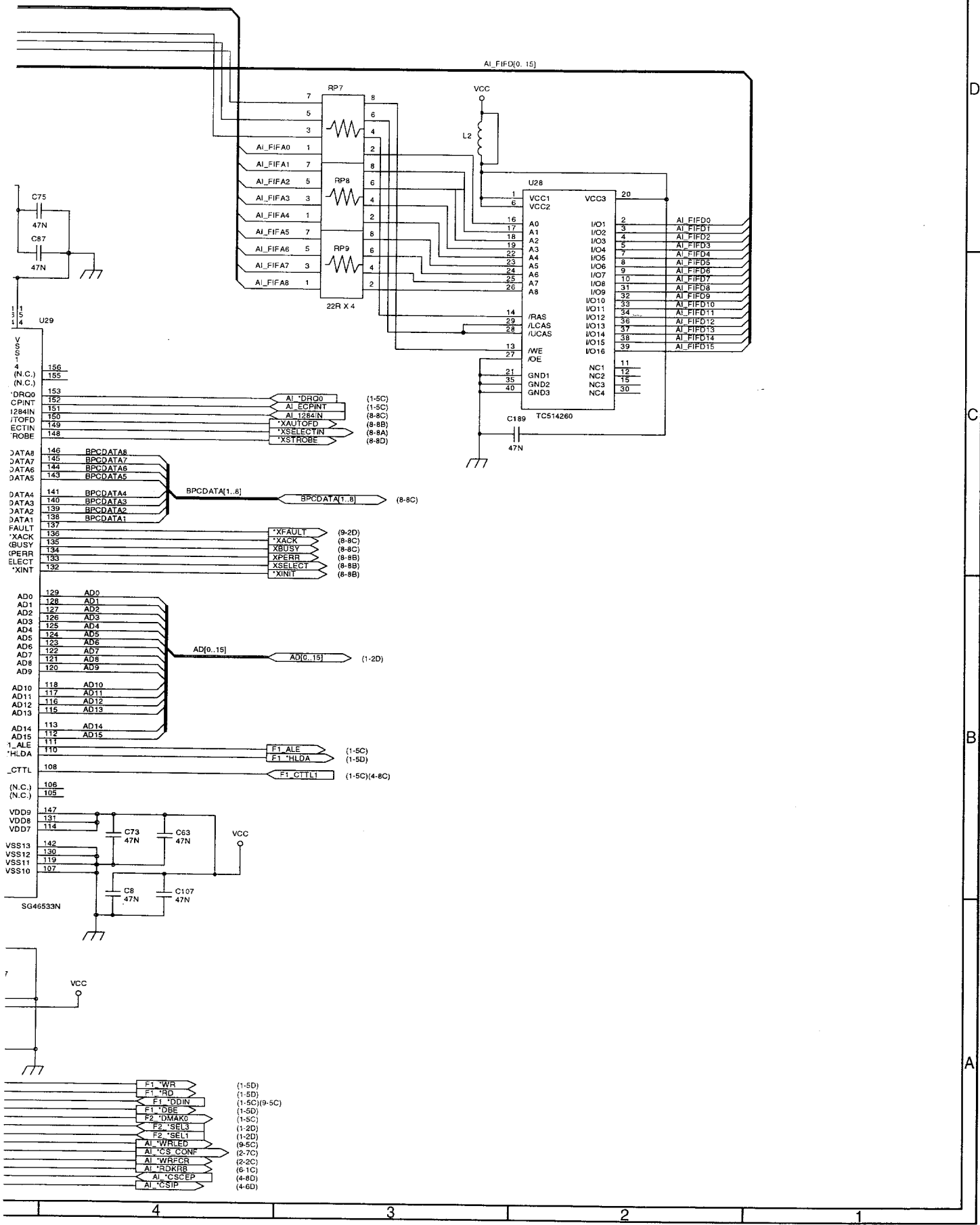
**MAIN PWB 3**



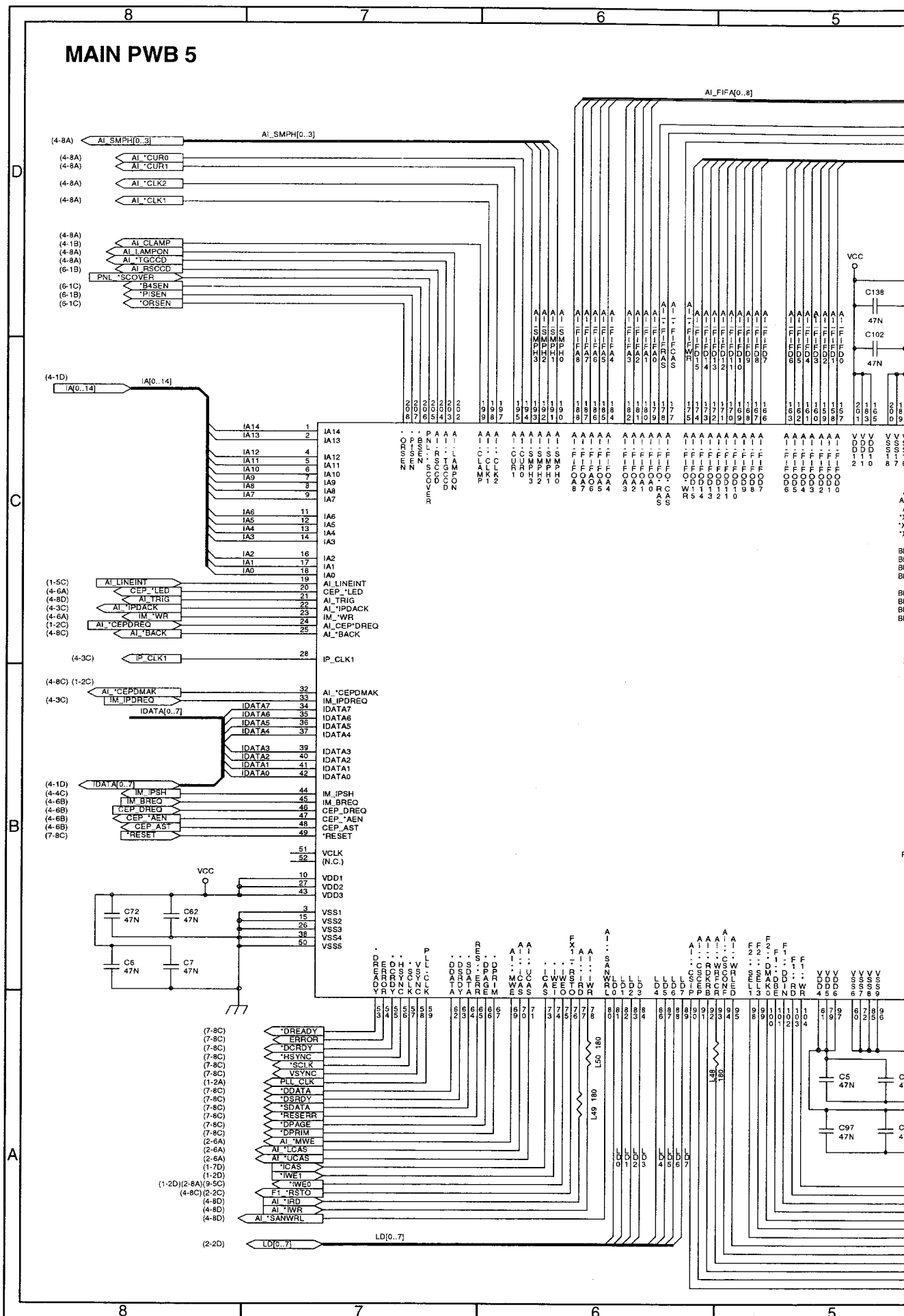


# MAIN PWB 4

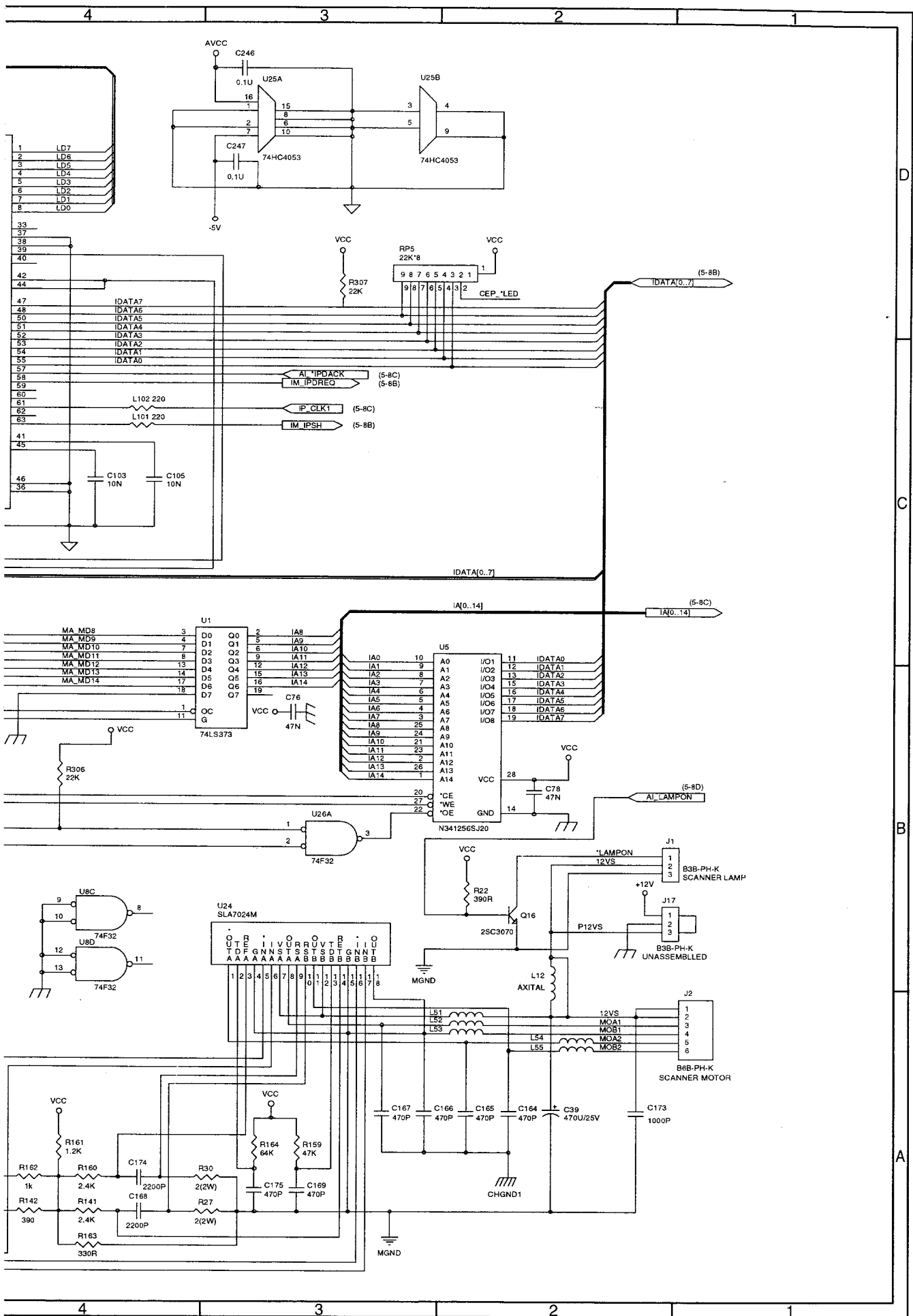


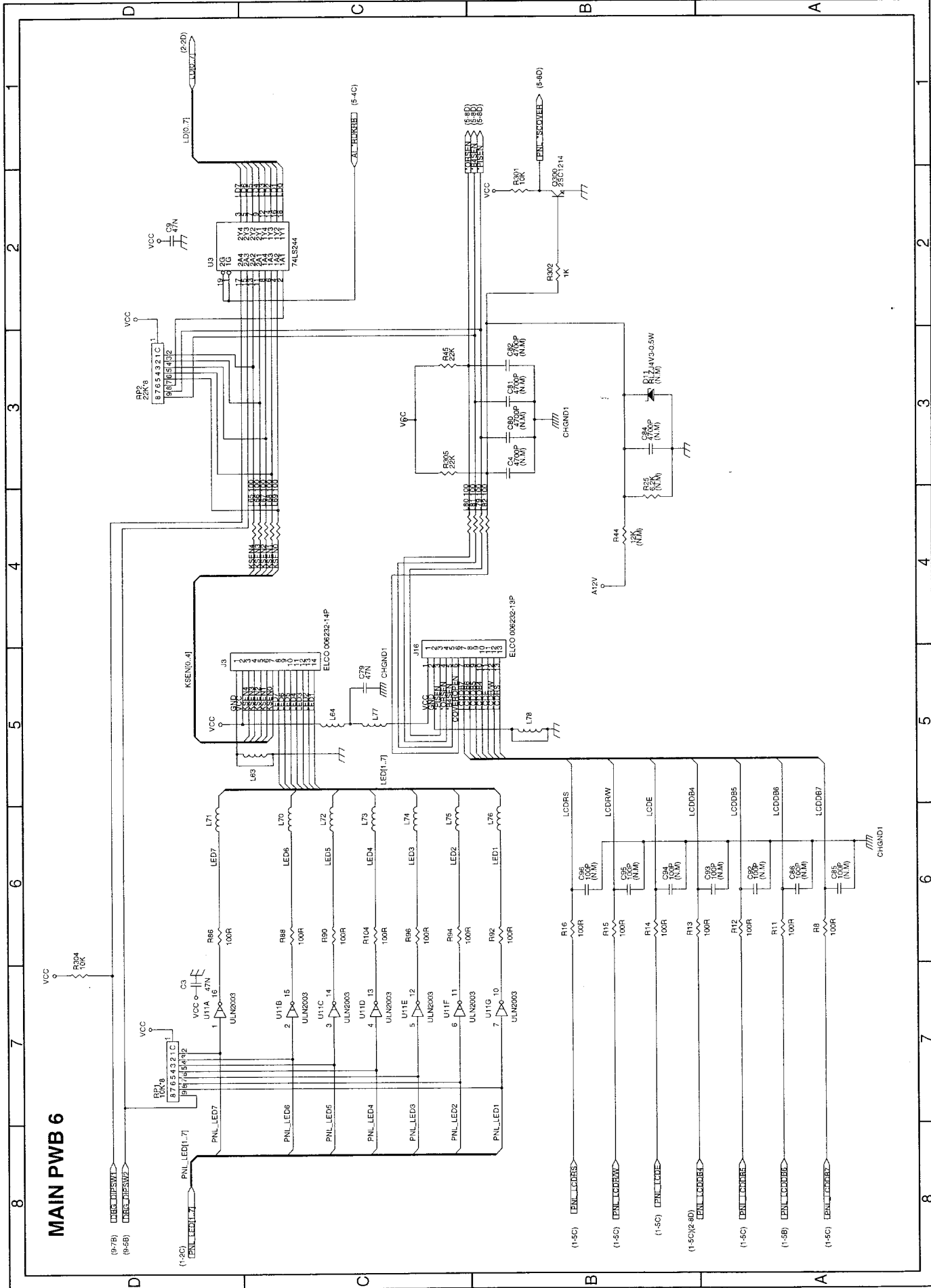


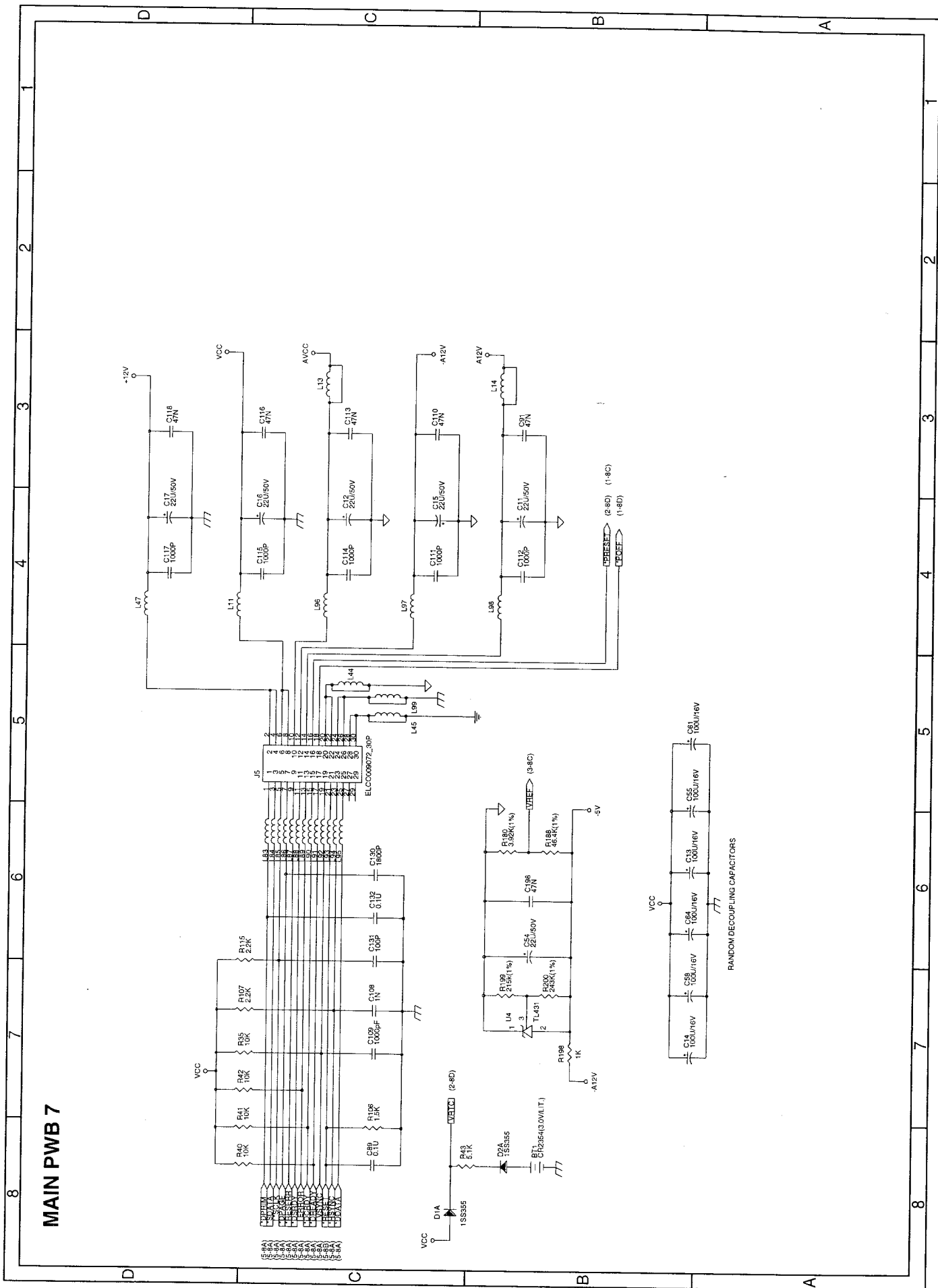
# MAIN PWB 5



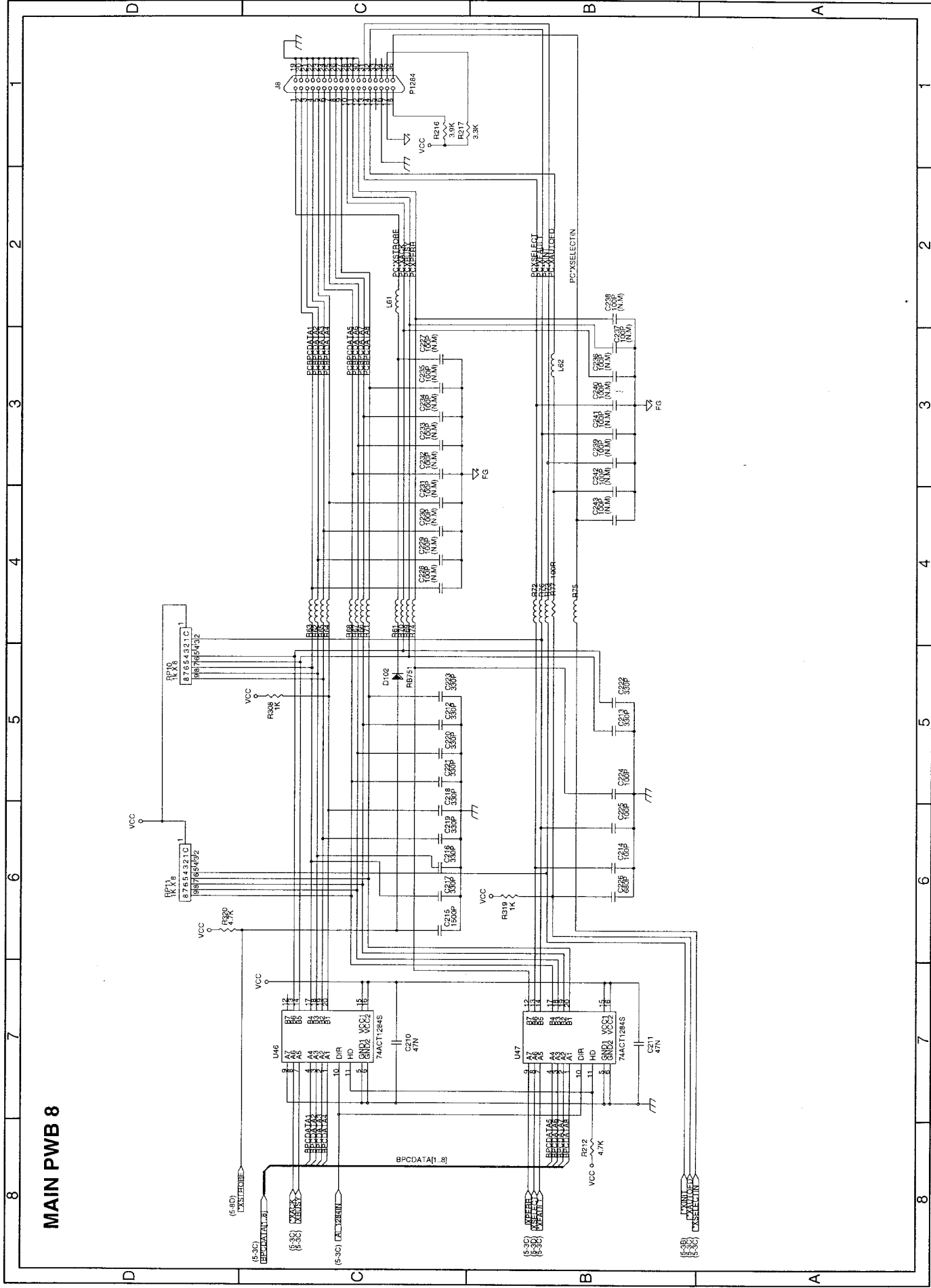






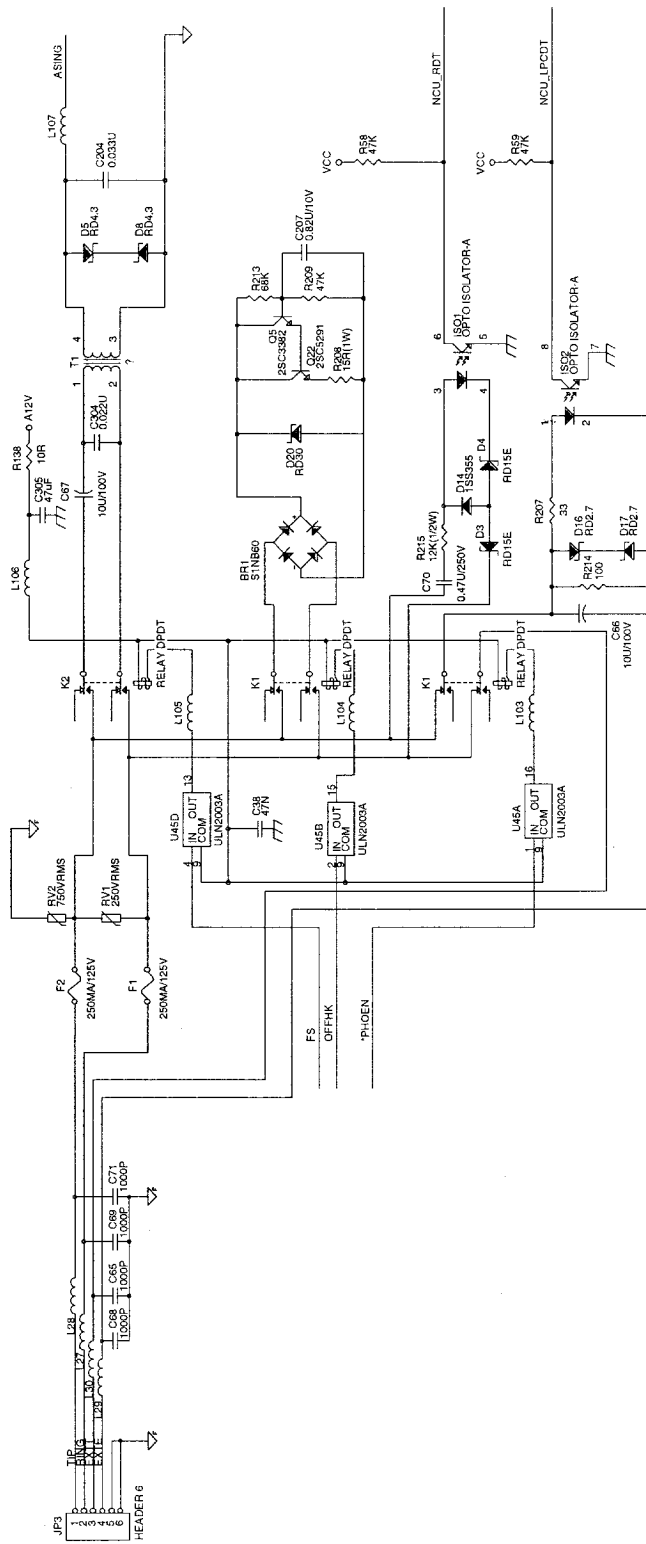


MAIN PWB 7

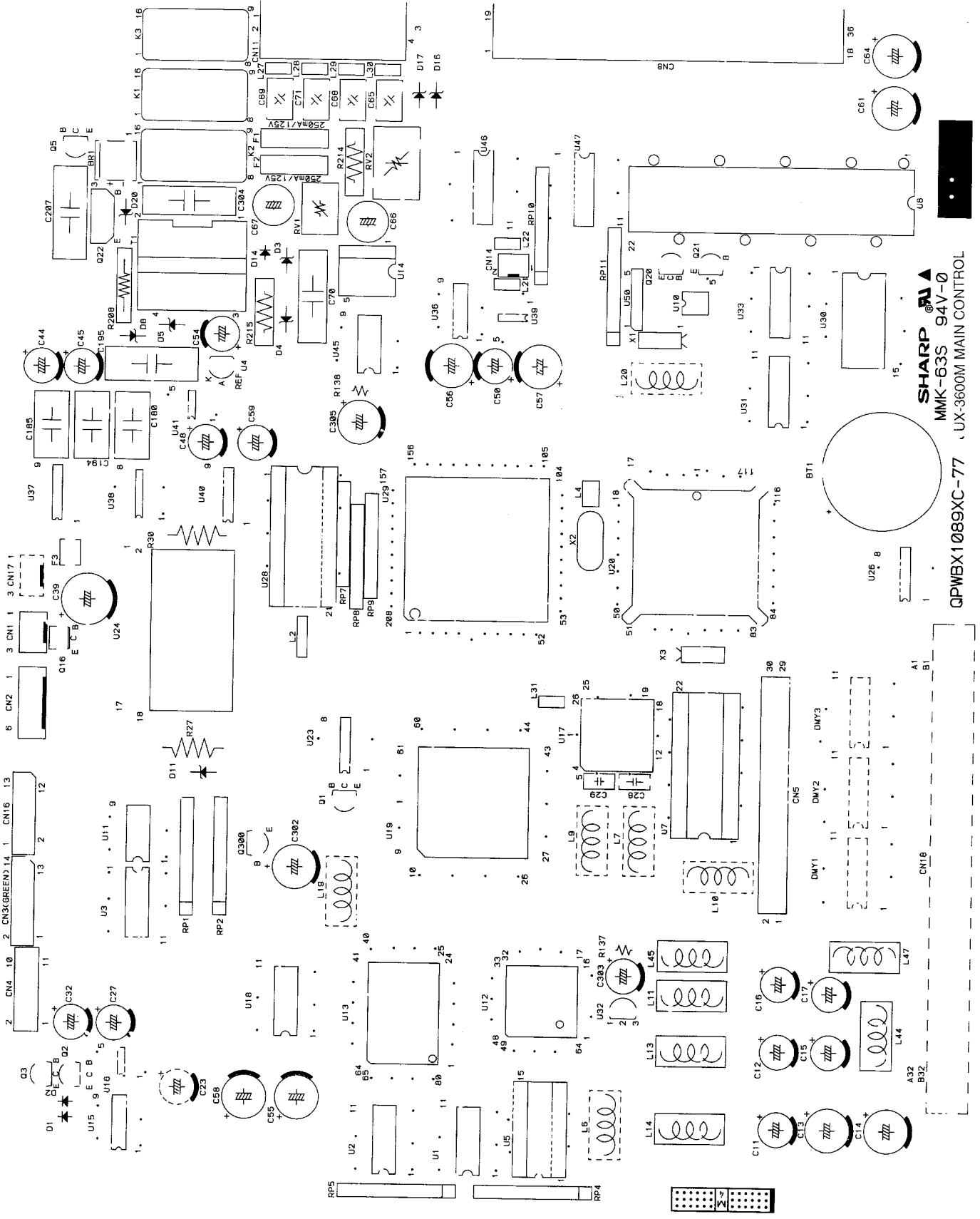




MAIN PWB 10

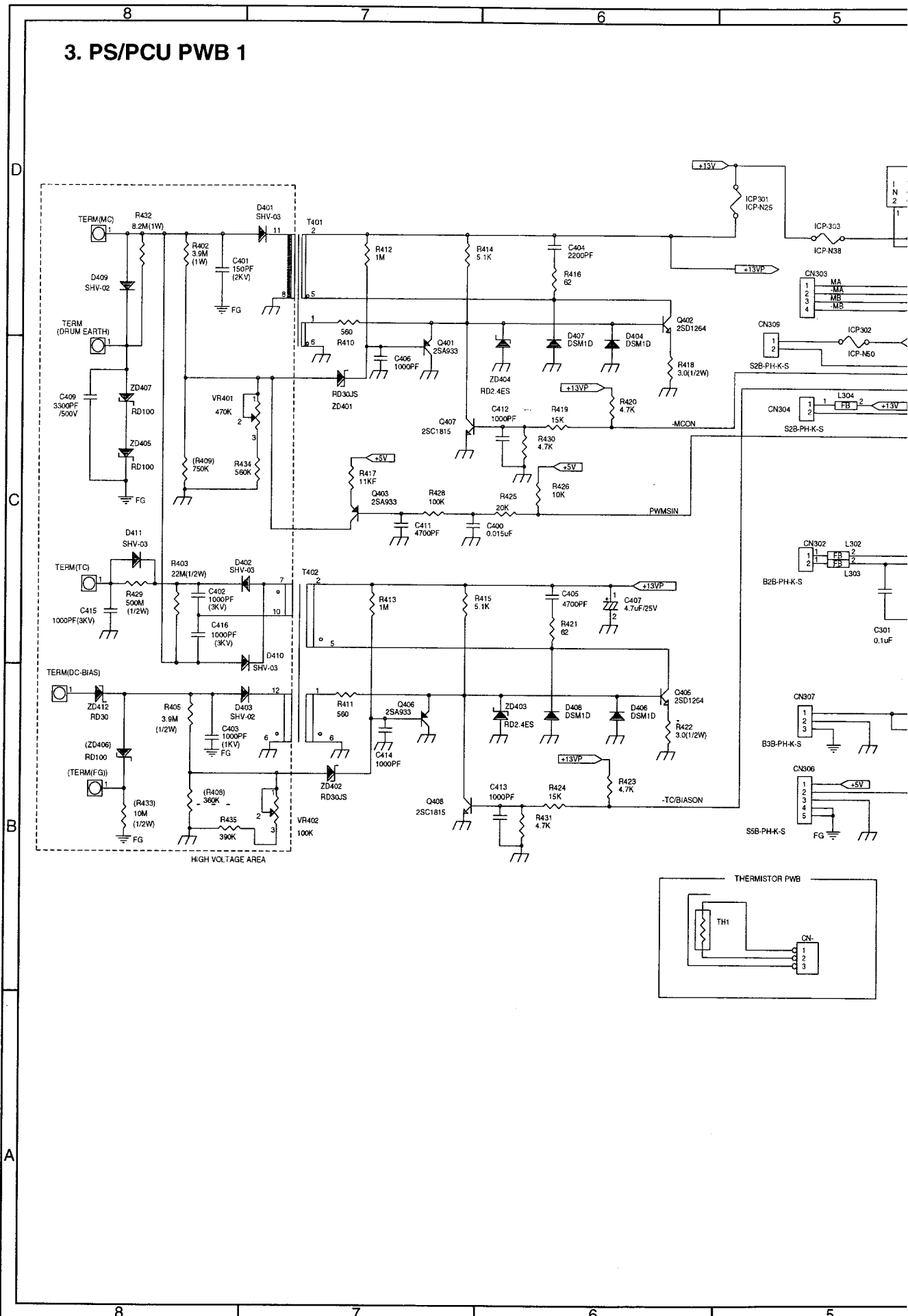


MAIN PWB



SHARP  
 MMK-63S 94V-0  
 UX-3600M MAIN CONTROL  
 QPWBX1089XC-77

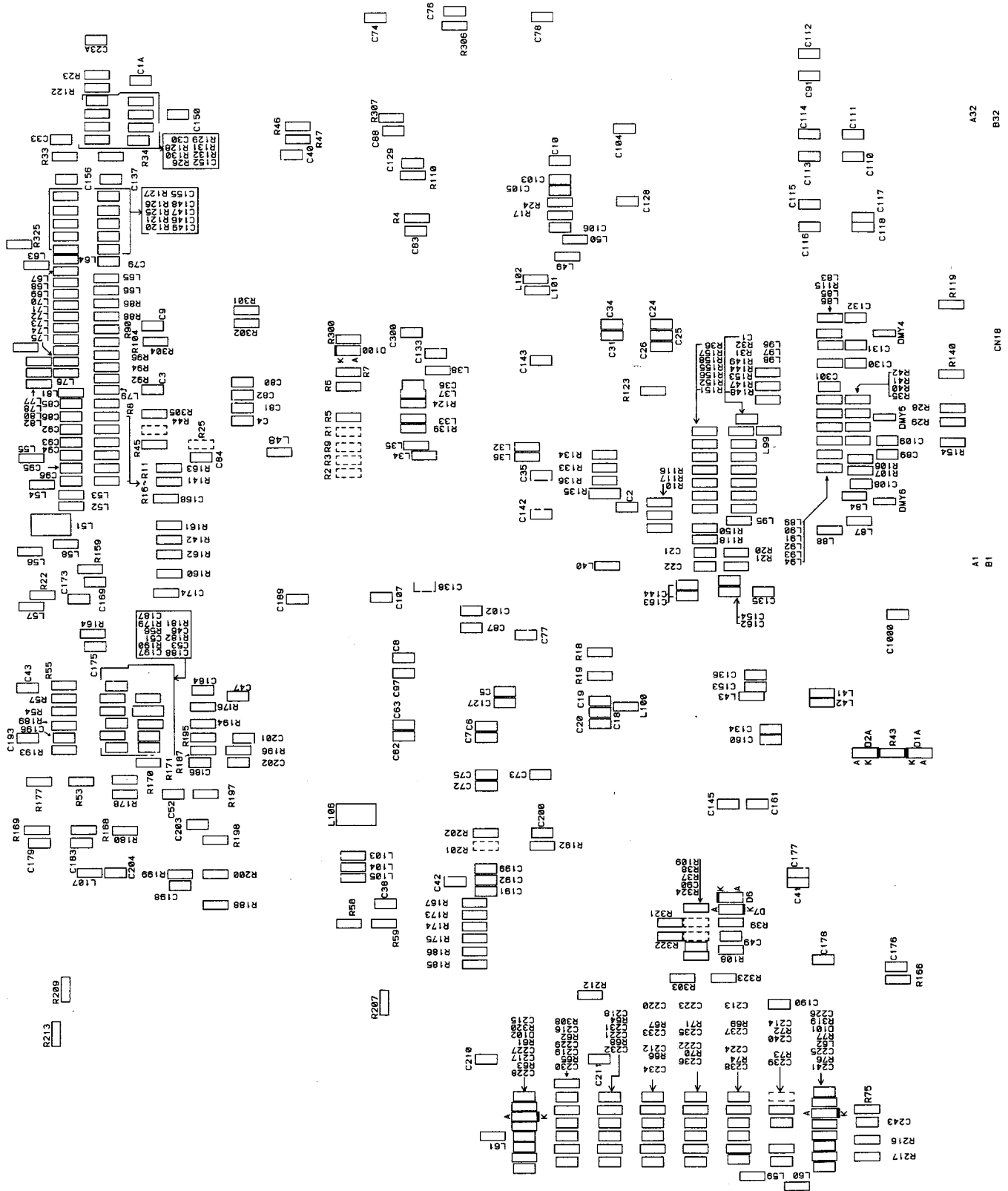
### 3. PS/PCU PWB 1







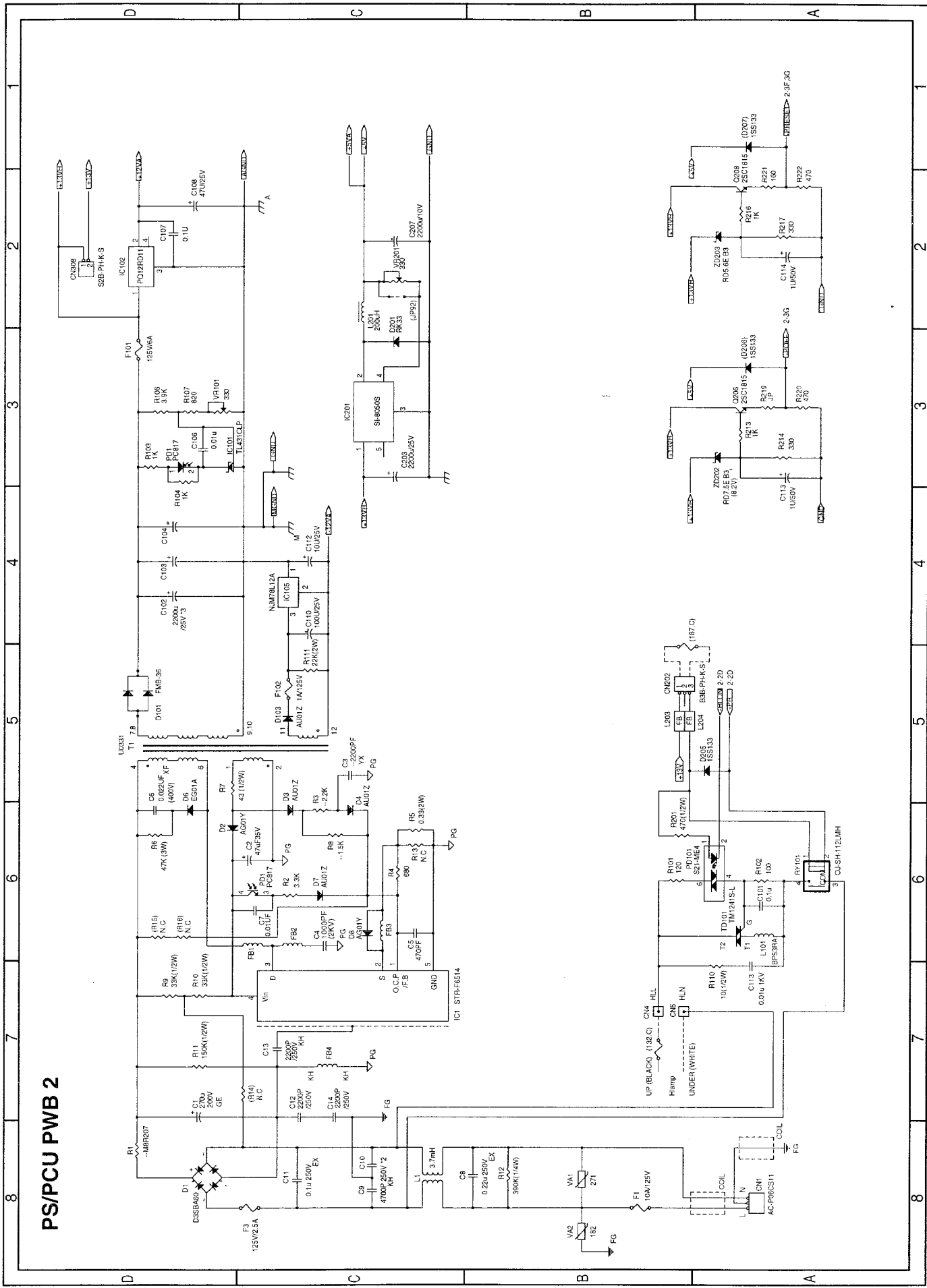
MAIN PWB

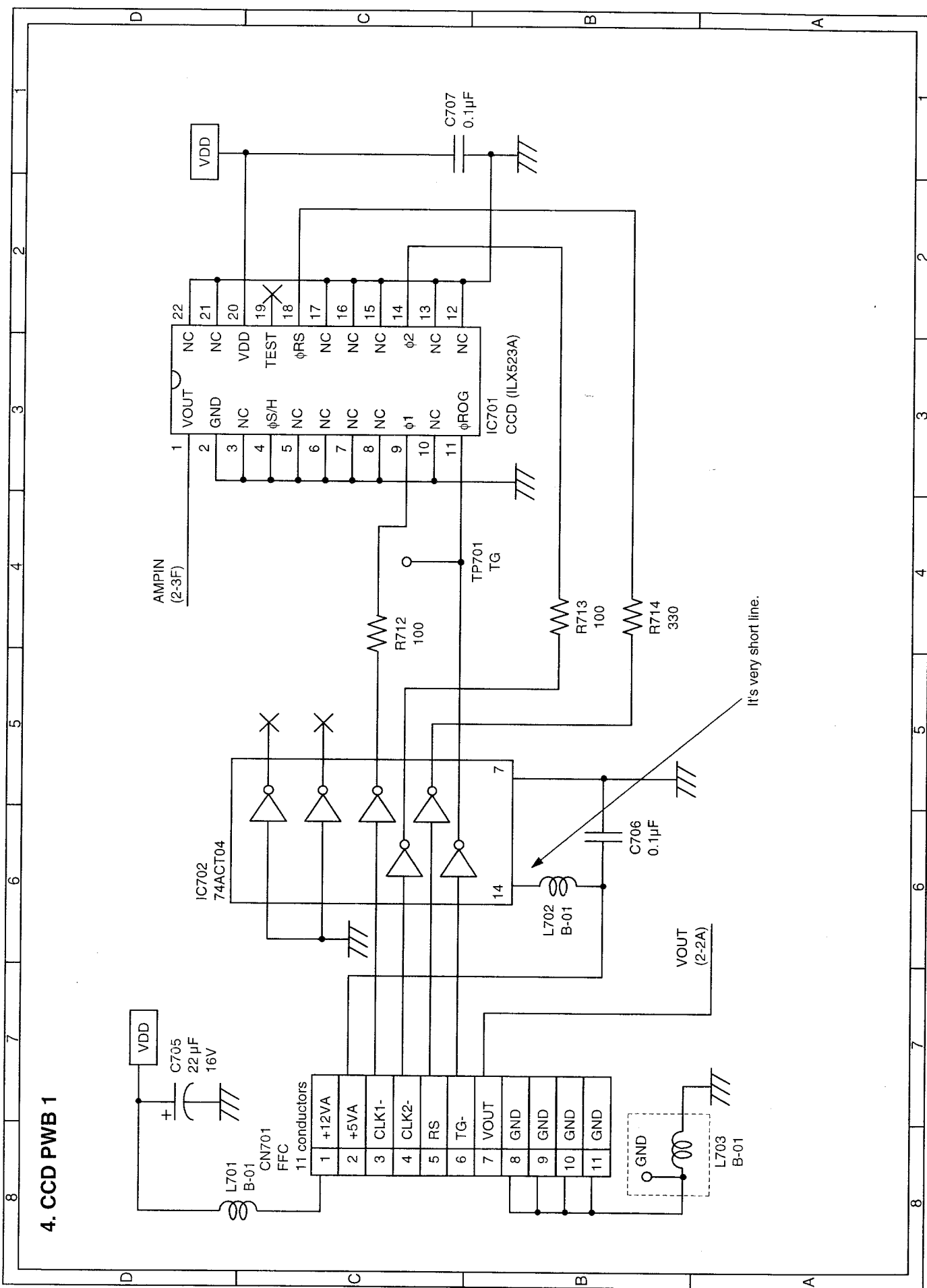


A32  
B32  
CN18

A1  
B1

PS/PCU PWB 2

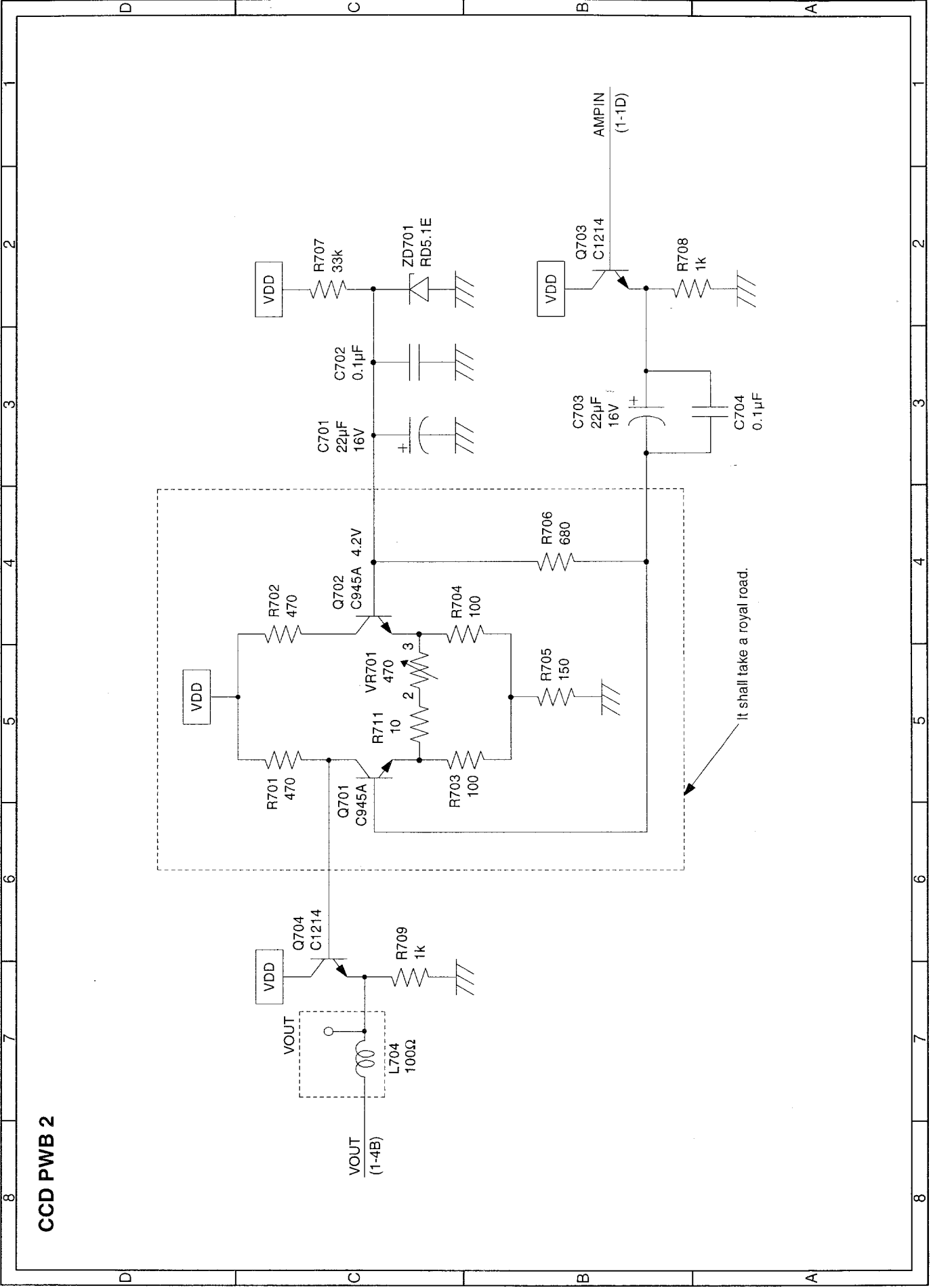




It's very short line.

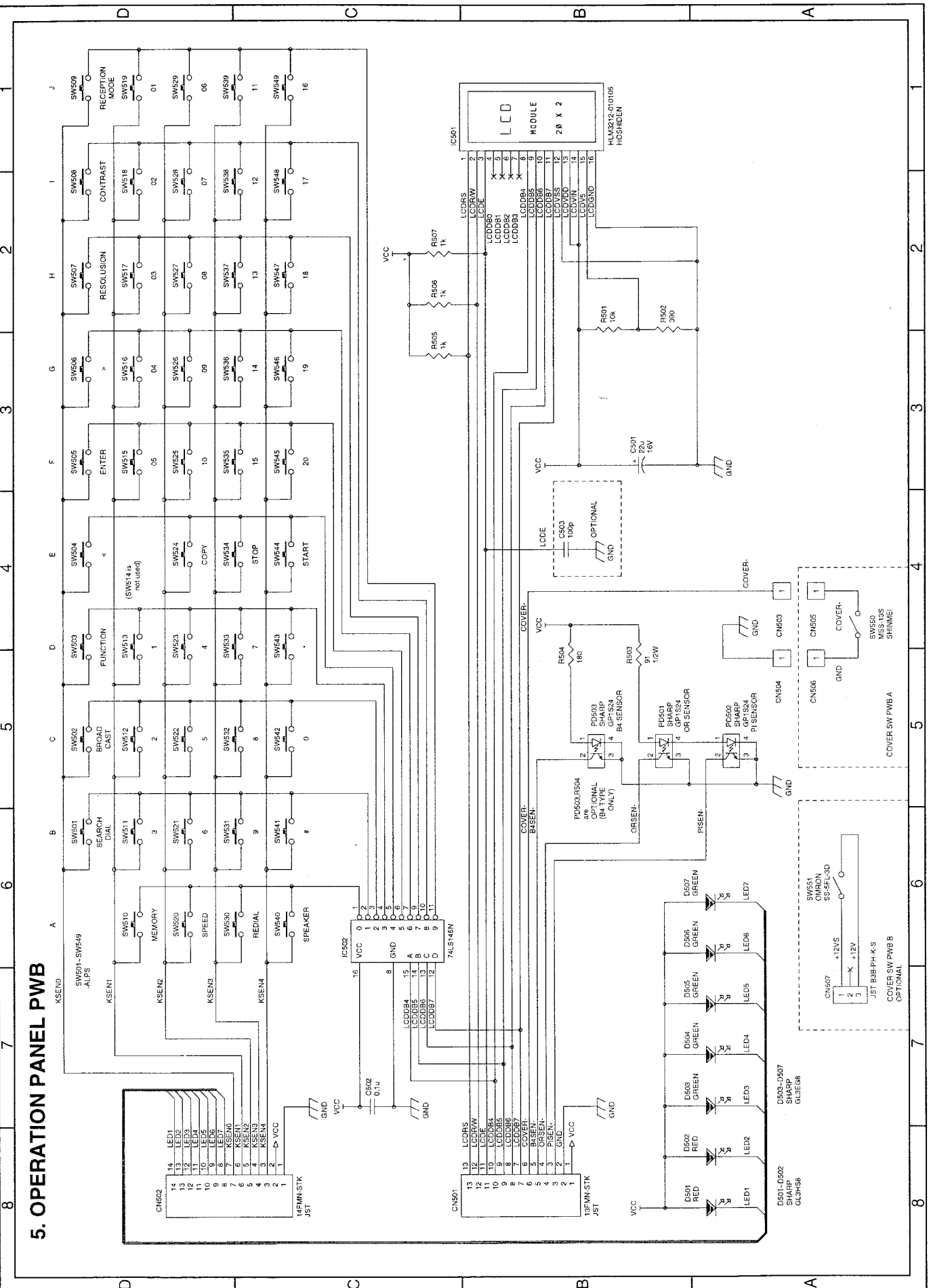
### 4. CCD PWB 1

CCD PWB 2

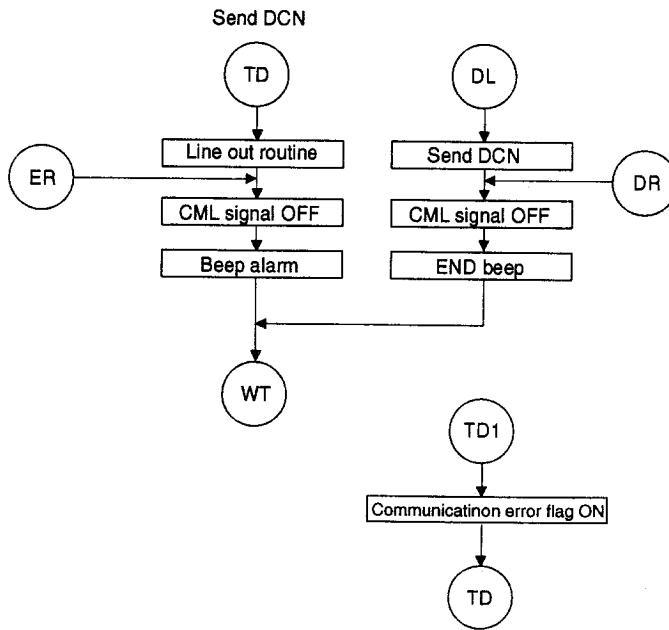
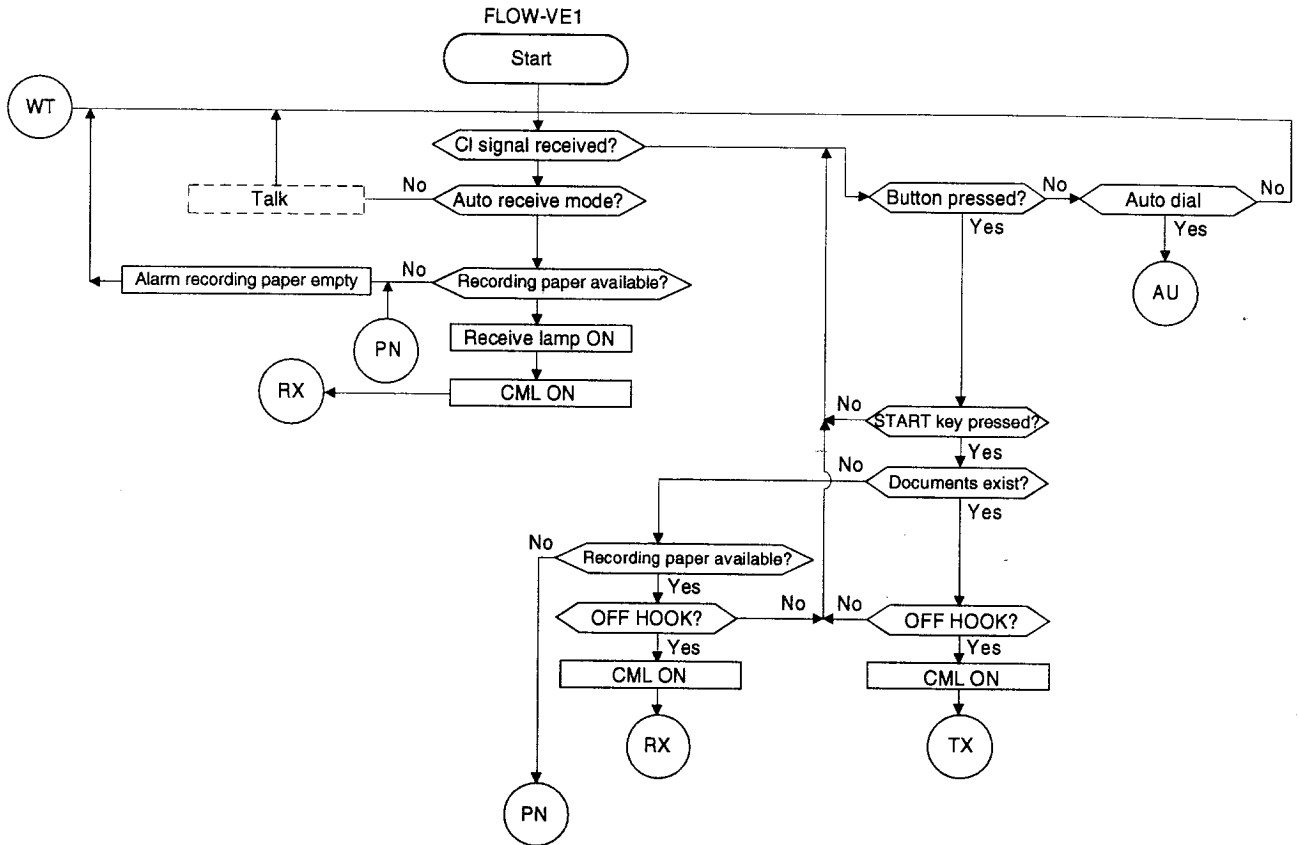




# 5. OPERATION PANEL PWB

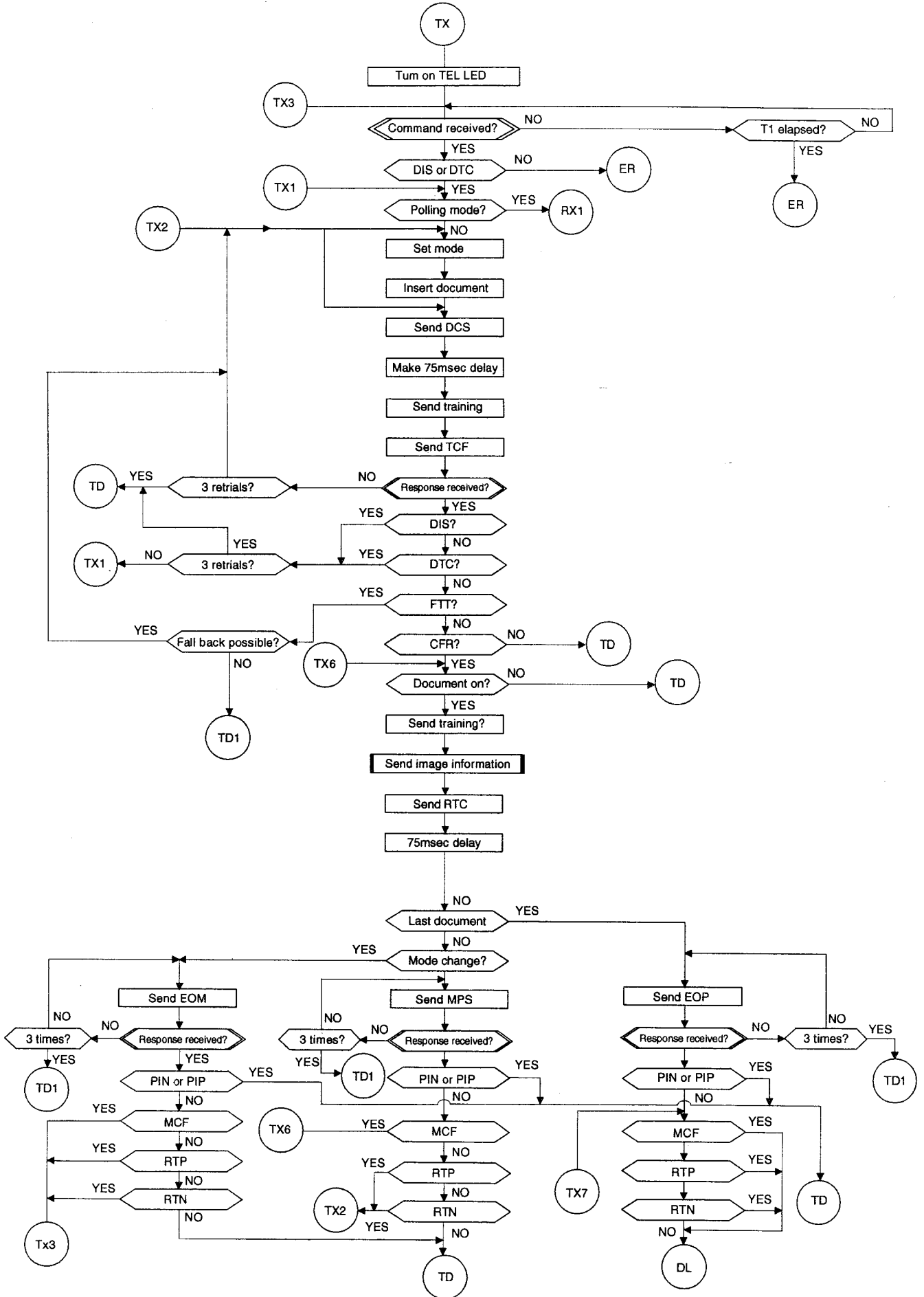


# [15] OPERATION FLOWCHART

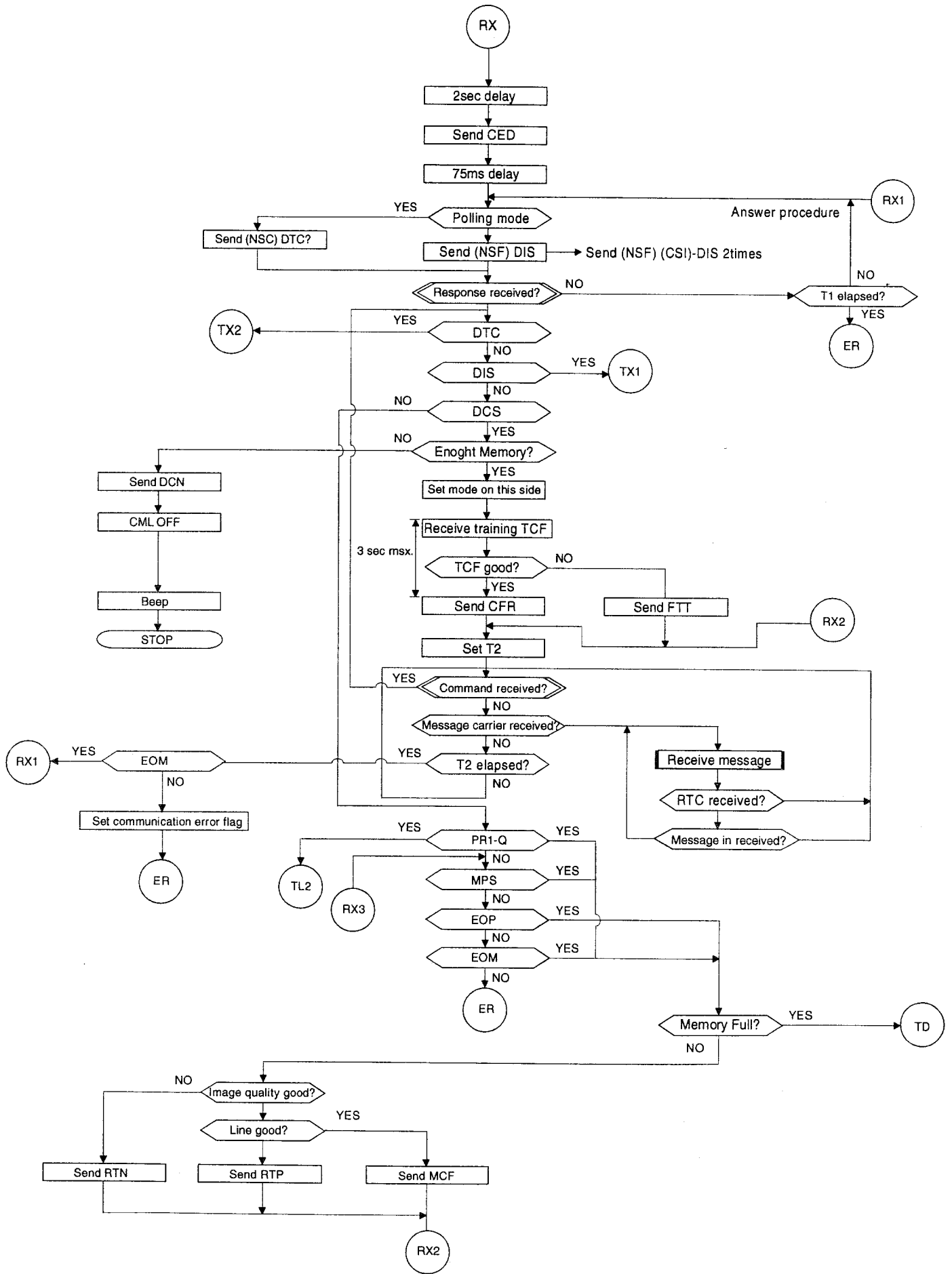


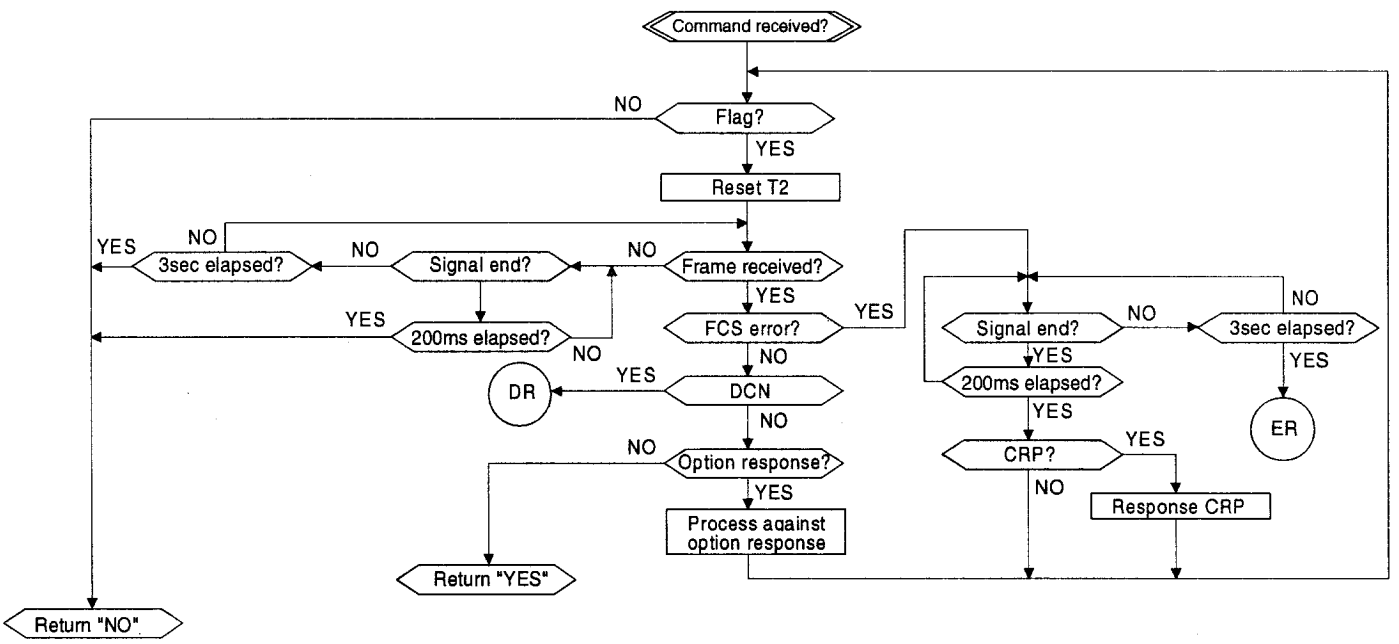
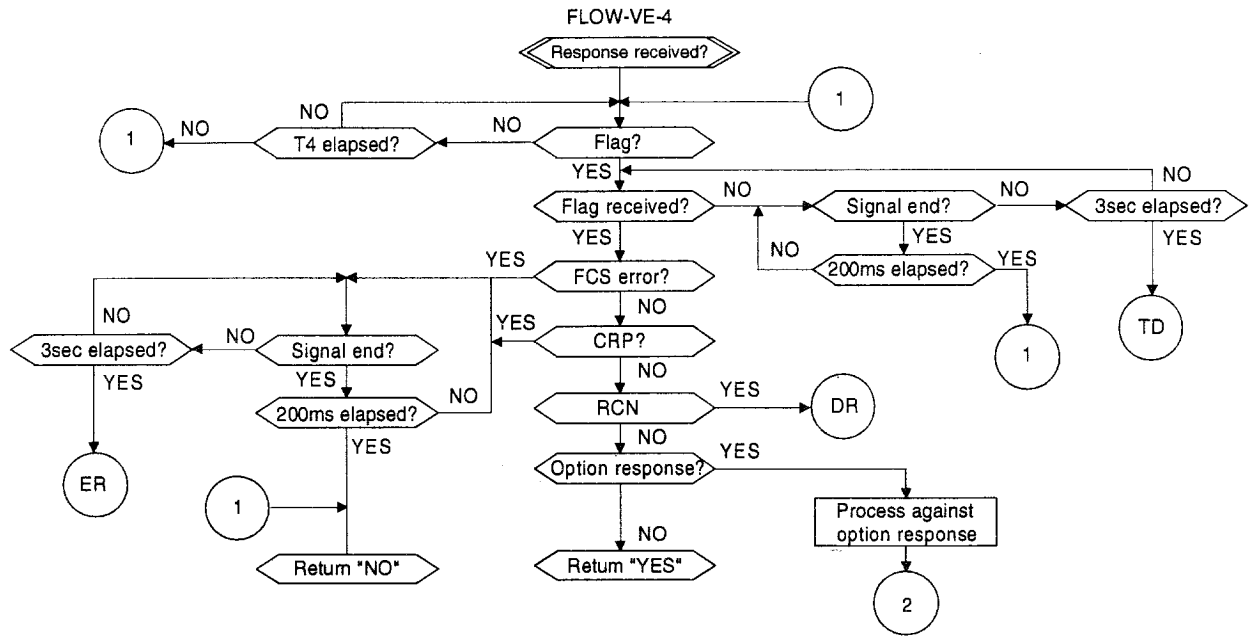


FLOW-VE-2

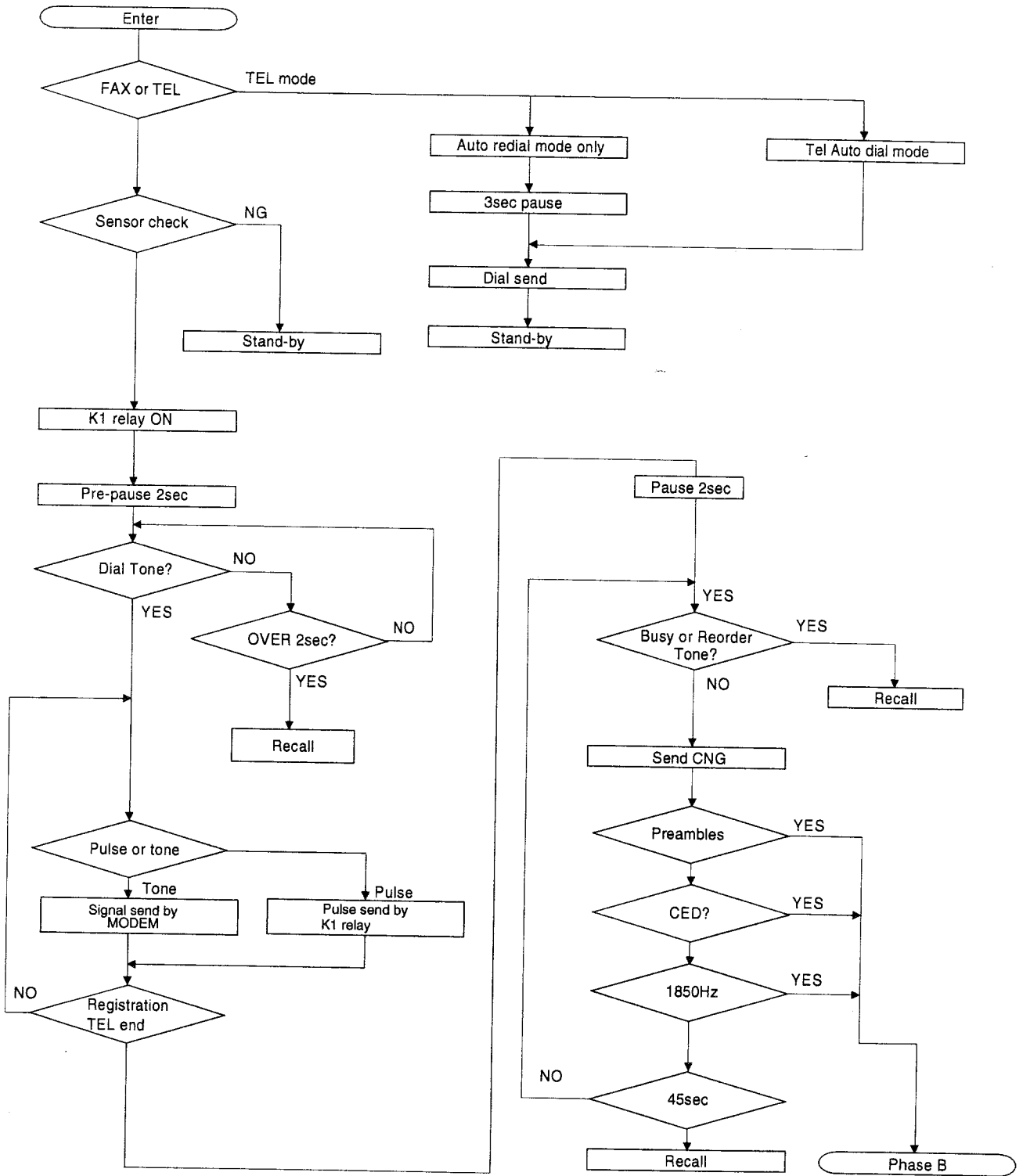


FLOW-VE-3





# Auto dial sending



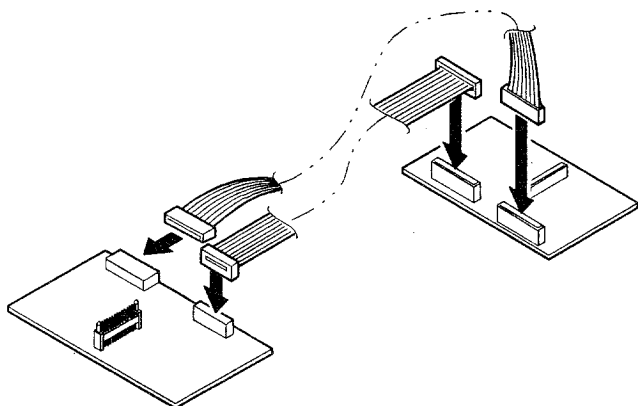
## [16] SERVICE TOOLS

No.	PARTS CODE	DESCRIPTION	Q'TY	PRICE RANK
1	UKOGK7034XCZZ	Extension board A	1	BU
2	UKOGK7035XCZZ	Extension board B	1	BU
3	UKOGK7036XCZZ	Extension board C	1	BU

No.	CABLE PARTS CODE	DESCRIPTION	Q'TY	PRICE RANK	REMARK
1	QCNW-7220XCZZ	Extension-harness	1	AZ	CONTROL
2	QCNW-7221XCZZ	Extension-harness	1	AX	P/S
3	QCNW-7222XCZZ	Extension- 3cable	1	AN	LED
4	QCNW-7223XCZZ	Extension- 6cable	1	AH	MOTOR
5	QCNW-7224XCZZ	Extension-11cable	1	AH	CCD
6	QCNW-7225XCZZ	Extension-13cable	1	AH	PANEL A
7	QCNW-7226XCZZ	Extension-14cable	1	AH	PANEL B

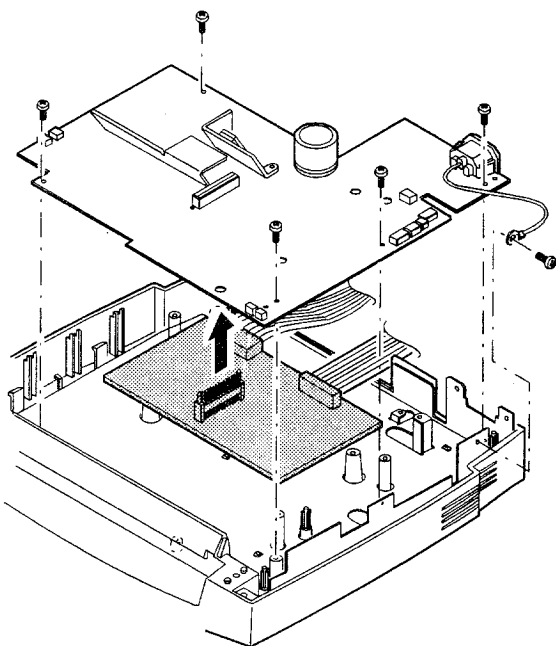
1. Connect extension board A with extension board B by using the extension-A harness and the extension-B harness.

(Solder the extension-A harness to extension board A.)

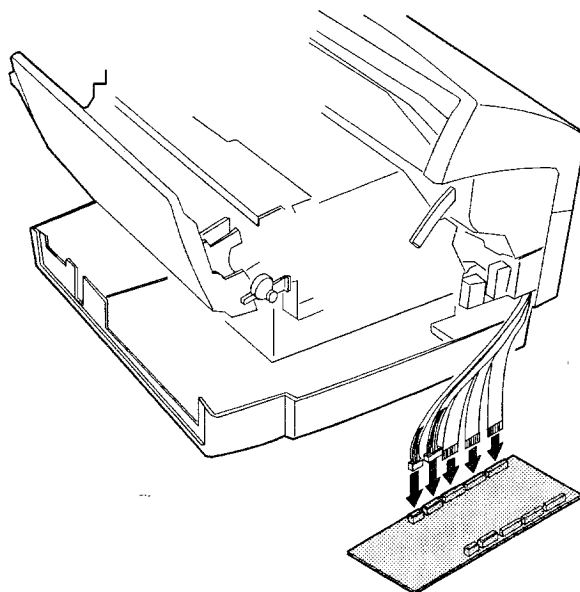


2. Remove the main control PWB from the main body, and install the extension board A instead.

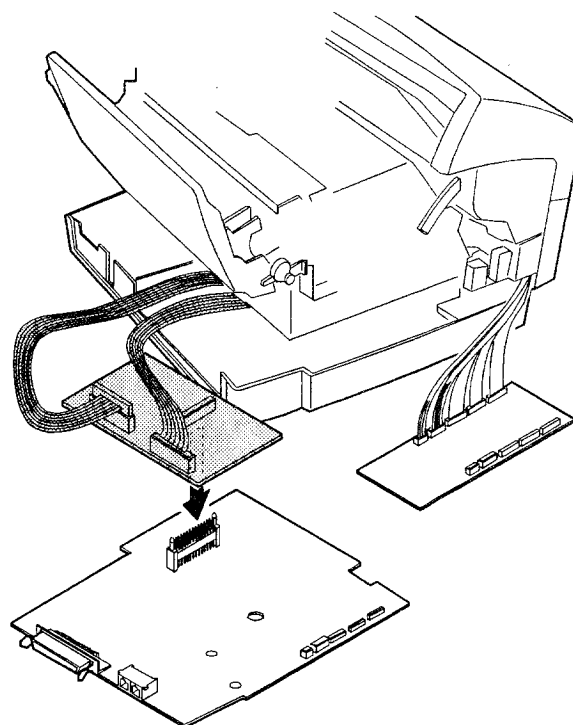
Pull out the extension-A harness and the extension-B harness from the rear of the main body.



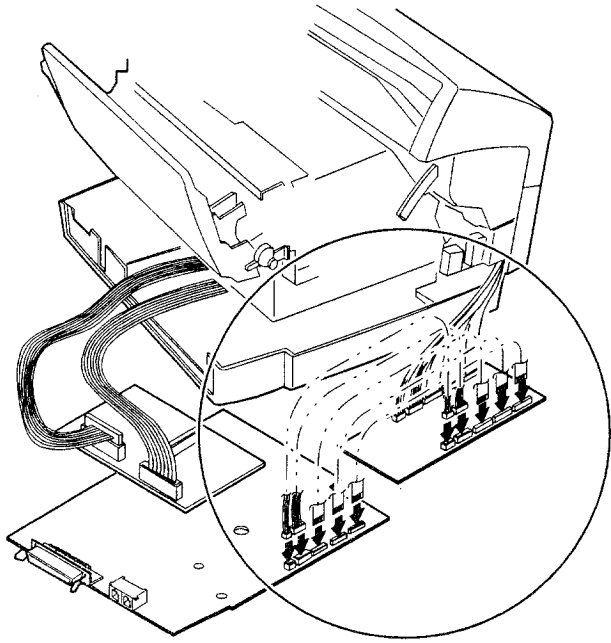
3. Remove the main body panel lower cabinet, and pull out the CCD cable, panel cable A, panel cable B, the motor harness, and the LED harness. Connect them to extension board C.



4. Connect extension board B to the main control PWB which is to be checked.



5. Connect the main control PWB which is to be checked to extension board C by using the extension-3 cable, the extension-6 cable, the extension-11 cable, the extension-13 cable, and the extension-14 cable.



**CAUTION FOR BATTERY REPLACEMENT**

(Danish)                    **ADVARSEL !**  
Lithiumbatteri – Eksplosionsfare ved fejlagtig håndtering.  
Udskiftning må kun ske med batteri  
af samme fabrikat og type.  
Levér det brugte batteri tilbage til leverandoren.

(English)                    **Caution !**  
Danger of explosion if battery is incorrectly replaced.  
Replace only with the same or equivalent type  
recommended by the manufacturer.  
Dispose of used batteries according to manufacturer's instructions.

(Finnish)                    **VAROITUS**  
Paristo voi räjähtää, jos se on virheellisesti asennettu.  
Vaihda paristo ainoastaan laitevalmistajan suosittelemaan  
tyyppiin. Hävitä käytetty paristo valmistajan ohjeiden  
mukaisesti.

(French)                    **ATTENTION**  
Il y a danger d'explosion s' il y a remplacement incorrect  
de la batterie. Remplacer uniquement avec une batterie du  
même type ou d'un type équivalent recommandé par  
le constructeur.  
Mettre au rebut les batteries usagées conformément aux  
instructions du fabricant.

(Swedish)                    **VARNING**  
Explosionsfara vid felaktigt batteribyte.  
Använd samma batterityp eller en ekvivalent  
typ som rekommenderas av apparattillverkaren.  
Kassera använt batteri enligt fabrikantens  
instruktion.

# SHARP

**COPYRIGHT © 1998 BY SHARP CORPORATION**

All rights reserved.

Printed in Japan.

No part of this publication may be reproduced,  
stored in a retrieval system, or transmitted,  
in any form or by any means,  
electronic, mechanical, photocopying, recording, or otherwise,  
without prior written permission of the publisher.

**SHARP CORPORATION**  
**Printing & Reprographic Systems Group**  
**Quality & Reliability Control Center**  
**Yamatokoriyama, Nara 639-11, Japan**

1998 January Printed in Japan ©